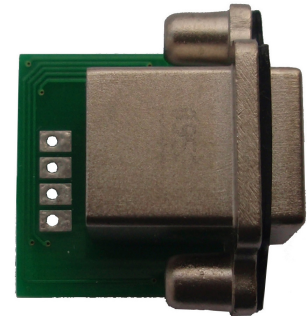


DEVICE FUNCTIONS

CS5009P

Features

- IP67 sealed
- Nickel plated zinc alloy shell
- Shock and vibration resistant
- RS232 - USB conversion
- Virtual COM port device driver
- ESD surge protection: $\pm 8\text{kv}$ contact discharge, $\pm 15\text{kv}$ air gap discharge
- LC filters on RS232 RxD and TxD lines
- USB bus powered, 17.5mA
- Panel mounting
- Fixed and programmable RS232 settings



Specifications

USB	USB specification 2.0 compliant
	USB type B receptacle connector
	USB full speed 12Mbps transmission
RS232	Signals: RxD, TxD, GND
	Receiver RxD input voltage range: -25v to +25v
	Transmitter TxD output voltage swing: -5.7v to +5.7v
	Connector: 3 solder pads 3.05mmx2.03mm
	Baud rate: 1200bps to 115200bps
	Parity: Even, Odd, None, Mark, Space
	Data length: 5-bit, 6-bit, 7-bit, 8-bit
	Stop bits: 1-bit, 2-bit
Grounding	USB connector is floating. Grounding pads are provided.
Power	USB bus powered, 17.5mA
Software	32-bit and 64-bit virtual COM port device driver for Microsoft Windows 8, Windows 7, Windows Vista, Windows XP
Mounting	Panel mount with panel gasket included. 4x40 thread
Vibration	Per EIA 364-28 per Condition V, Letter A
Shock	Per EIA 364-27 Condition H (11 ms 30G)
Shell	Nickel Plated Die-cast Zinc Alloy
Part	CS5009P RS232 programmable, support all settings.
Number	CS5009P-96 RS232 setting: 9600bps, 8-bit, No parity, 1-bit stop.
	CS5009P-19 RS232 setting: 19200bps, 8-bit, No parity, 1-bit stop.
	CS5009P-11 RS232 setting: 115200bps, 8-bit, No parity, 1-bit stop.
	Operating temperature range: -40°C TO +85°C

Software Installation

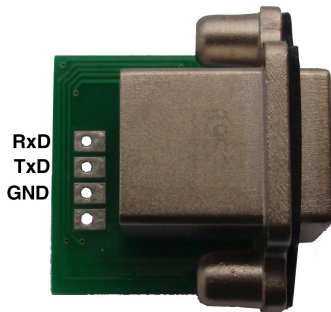
The software package is supplied in a compressed folder file named *USB_COM_1P_Driver* or a CD. Here are the installation steps.

1. If you have file *USB_COM_1P_Driver*, rename *USB_COM_1P_Driver* to *USB_COM_1P_Driver.zip*, extract all files to a file folder on your local disk or USB drive, double click *setup.exe* to start software installation.

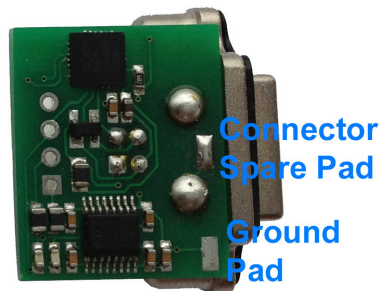
DEVICE FUNCTIONS

2. If you have the software CD, insert the software CD into your computer's disc drive, the software installation will start automatically.
3. Follow the on-screen instructions until the setup wizard finishes.
4. Connect USB module to the computer's USB port with an USB cable.
5. Follow the on-screen instructions if any to complete the software installation.

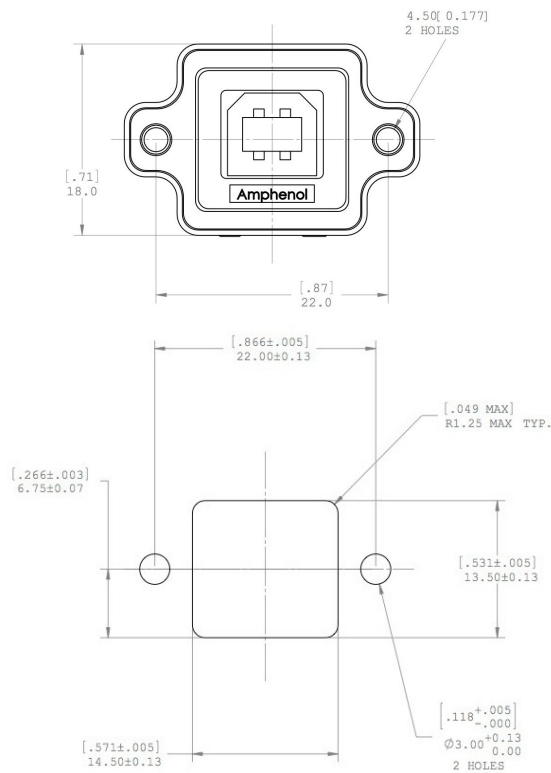
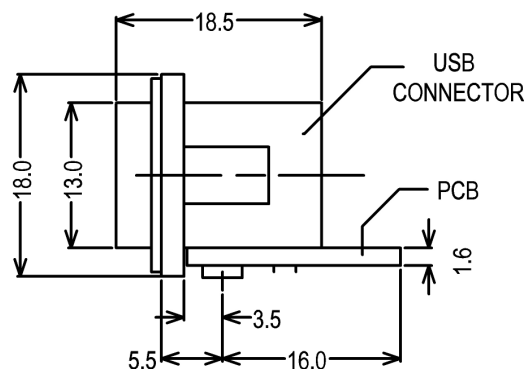
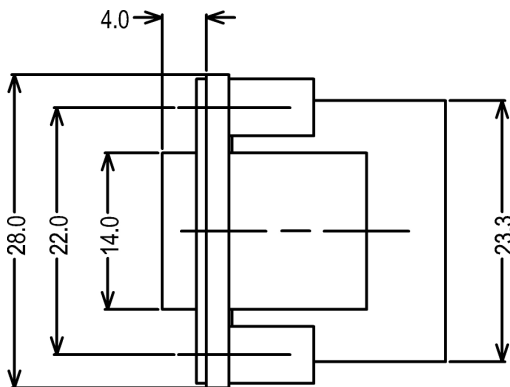
RS232 Connector Definition



Grounding pads



Drawings (mm, tolerance ± 0.3 unless otherwise specified)



Panel Cutout

DEVICE FUNCTIONS

Accessories

CS5009C

Dust cover for USB receptacle is included.

- Material: Silicone rubber
- Operating temperature: -40 °C TO +105 °C



SWD001

Virtual COM USB device driver CD

The virtual COM port device driver supports 32-bit (x86) and 64-bit (x64) Microsoft Windows 8, Windows 7, Windows Vista, Windows XP.



©2014 Device Functions. All right reserved.