

# DEVICE FUNCTIONS

## CS50081



## CS50082



### Features

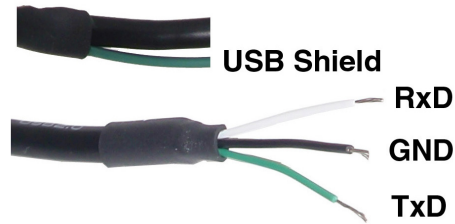
- CS50081 IP67 sealed, CS50082 IP68 sealed
- Plastic shell
- Thread coupling mechanism for secure USB cable connection
- RS232 - USB conversion
- Virtual COM port device driver
- ESD surge protection:  $\pm 8\text{kv}$  contact discharge,  $\pm 15\text{kv}$  air gap discharge
- LC filters on RS232 RxD and TxD lines
- USB bus powered, 17.5mA
- Panel mounting
- Fixed and programmable RS232 settings

### Specifications

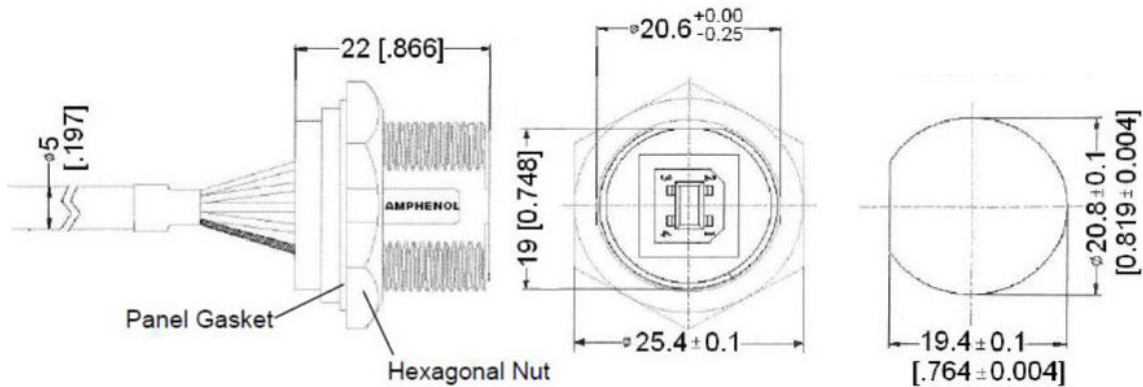
USB	USB specification 2.0 compliant USB type B receptacle connector USB full speed 12Mbps transmission
RS232	Signals: RxD, TxD, GND Receiver RxD input voltage range: -25v to +25v Transmitter TxD output voltage swing: -5.7v to +5.7v Connector: 30cm cable with an open end of 3 wires Baud rate: 1200bps to 115200bps Parity: Even, Odd, None, Mark, Space Data length: 5-bit, 6-bit, 7-bit, 8-bit Stop bits: 1-bit, 2-bit
Grounding	USB connector is floating. USB shield is extended with a green wire.
Power	USB bus powered, 17.5mA
Software	32-bit and 64-bit virtual COM port device driver for Microsoft Windows 8, Windows 7, Windows Vista, Windows XP.
Mounting	Panel mount with panel gasket included
Coupling	Thread coupling mechanism
Part Number	CS50081, CS50082 CS50081-96, CS50082-96 CS50081-19, CS50082-19 CS50081-11, CS50082-11
	RS232 programmable, support all settings. RS232 setting: 9600bps, 8-bit, No parity, 1-bit stop. RS232 setting: 19200bps, 8-bit, No parity, 1-bit stop. RS232 setting: 115200bps, 8-bit, No parity, 1-bit stop.
Operating temperature:	CS50081 -20°C TO 80°C      CS50082 0°C TO 70°C

# DEVICE FUNCTIONS

## RS232 Connector Definition

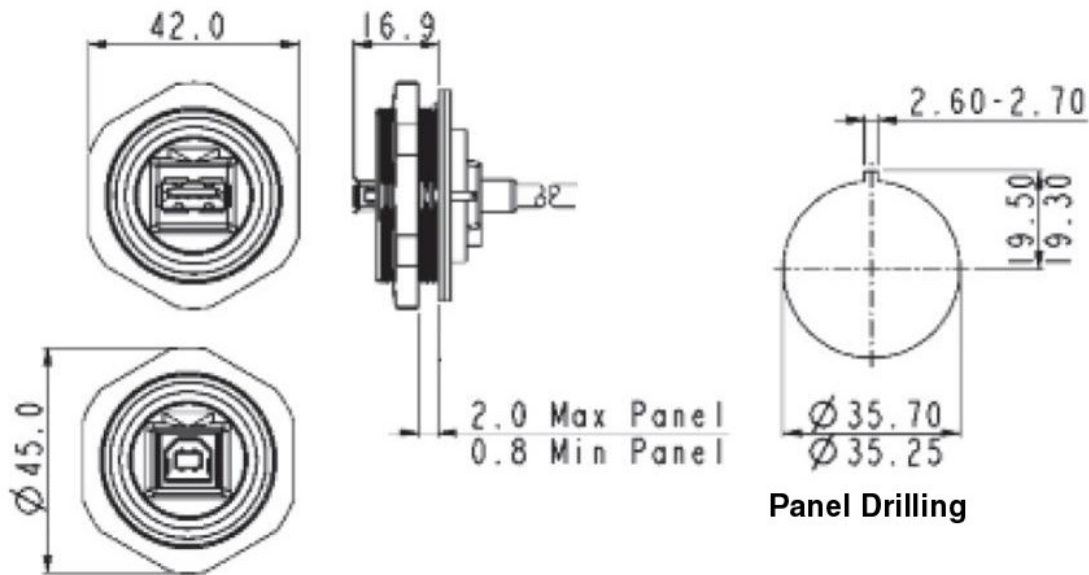


## Drawings (mm)



**CS50081 USB Receptacle**

**Panel Drilling**



**CS50082 USB Receptacle**

**Panel Drilling**

# DEVICE FUNCTIONS

---

## Accessories

### CS50081L1

Plugs for CS50081: USB A plug to IP67 sealed USB B plug, 1 meter, shielded.



### CS50082L2

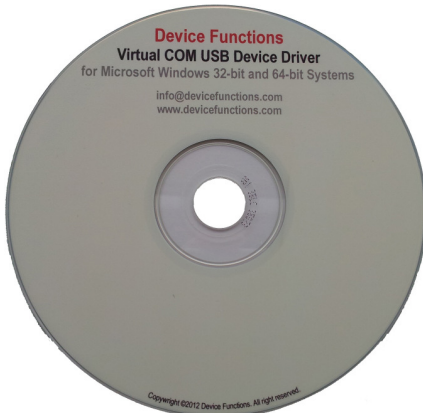
Plugs for CS50082: USB A plug to IP68 sealed USB B plug, 2 meter, shielded.



### SWD001

Virtual COM USB device driver CD

The virtual COM port device driver supports 32-bit (x86) and 64-bit (x64) Microsoft Windows 8, Windows 7, Windows Vista, Windows XP.



## Software Installation

The software package is supplied in a compressed folder file named *USB\_COM\_1P\_Driver* or a CD. Here are the installation steps.

# DEVICE FUNCTIONS

---

1. If you have file *USB\_COM\_1P\_Driver*, rename *USB\_COM\_1P\_Driver* to *USB\_COM\_1P\_Driver.zip*, extract all files to a file folder on your local disk or USB drive, double click *setup.exe* to start software installation.
2. If you have the software CD, insert the software CD into your computer's disc drive, the software installation will start automatically.
3. Follow the on-screen instructions until the setup wizard finishes.
4. Connect USB module to the computer's USB port with an USB cable.
5. Follow the on-screen instructions if any to complete the software installation.

©2014 Device Functions. All right reserved.