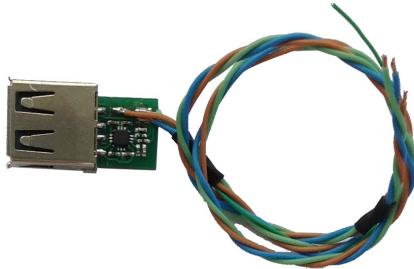


# DEVICE FUNCTIONS

## CS50070



## CS50071



## CS50072



## CS5007L5 Plugs



# DEVICE FUNCTIONS

---

## Features

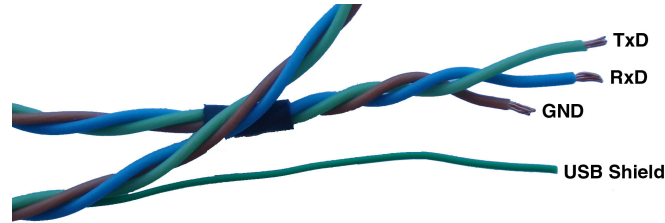
- IP67 sealed
- Nickel plated aluminium shell
- Thread coupling mechanism for secure USB cable connection
- Shock, vibration and traction resistant
- RS232 - USB conversion
- Virtual COM port device driver
- ESD surge protection:  $\pm 8\text{kv}$  contact discharge,  $\pm 15\text{kv}$  air gap discharge
- LC filters on RS232 RxD and TxD lines
- USB bus powered, 17.9mA
- Panel mounting
- Fixed and programmable RS232 settings

## Specifications

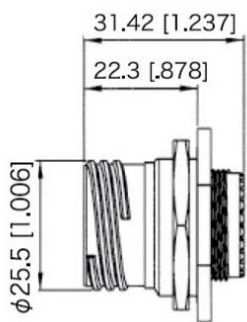
|                              |   |   |
|------------------------------|---|---|
| USB                          | USB specification 2.0 compliant<br>USB type A receptacle connector<br>USB full speed 12Mbps transmission  |   |
| RS232                        | Signals: RxD, TxD, GND<br>Receiver RxD input voltage range: $-25\text{v}$ to $+25\text{v}$<br>Transmitter TxD output voltage swing: $-5.7\text{v}$ to $+5.7\text{v}$<br>Connector: 3 wires of 30cm<br>Baud rate: 1200bps to 115200bps<br>Parity: Even, Odd, None, Mark, Space<br>Data length: 5-bit, 6-bit, 7-bit, 8-bit<br>Stop bits: 1-bit, 2-bit |   |
| Grounding                    | USB connector is floating. USB shield is extended with a green wire.  |   |
| Power                        | USB bus powered, 17.9mA   |   |
| Software                     | 32-bit and 64-bit virtual COM port device driver for Microsoft Windows 8, Windows 7, Windows Vista, Windows XP.   |   |
| Mounting                     | Panel mount with panel gasket included  |   |
| Vibrations                   | 10 – 500 Hz, 10 g, 3 axes: no discontinuity > 1micro s  |   |
| Shocks                       | IK06: weight of 250 g drop from 40 cm onto connectors (mated pair)  |   |
| Coupling                     | Thread coupling mechanism (MIL-DTL-38999 series III type) with antidecoupling device  |   |
| Shells                       | Aluminium shell, Nickel plating, ROHS compliant   |   |
| Plugs                        | USB A plug to IP67 sealed USB A plug, 5 meter, shielded   |   |
| Part                         | CS50070, CS50071, CS50072   | RS232 programmable, support all settings.               |
| Number                       | CS50070-96, CS50071-96, CS50072-96  | RS232 setting: 9600bps, 8-bit, No parity, 1-bit stop.   |
|                              | CS50070-19, CS50071-19, CS50072-19  | RS232 setting: 19200bps, 8-bit, No parity, 1-bit stop.  |
|                              | CS50070-11, CS50071-11, CS50072-11  | RS232 setting: 115200bps, 8-bit, No parity, 1-bit stop. |
| Operating temperature range: | CS50071 $-40^{\circ}\text{C}$ TO $+85^{\circ}\text{C}$<br>CS50072 $-40^{\circ}\text{C}$ TO $+85^{\circ}\text{C}$<br>Plugs $0^{\circ}\text{C}$ TO $80^{\circ}\text{C}$   |   |

# DEVICE FUNCTIONS

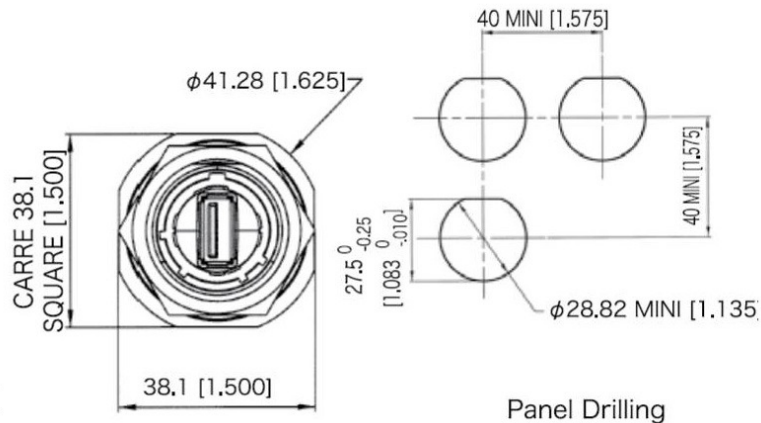
## RS232 Connector Definition



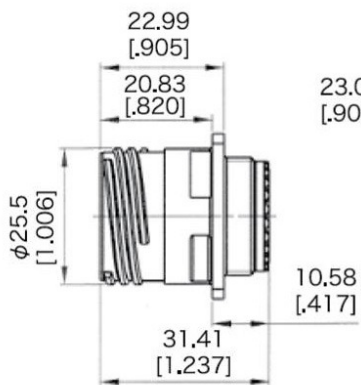
### Drawings (mm)



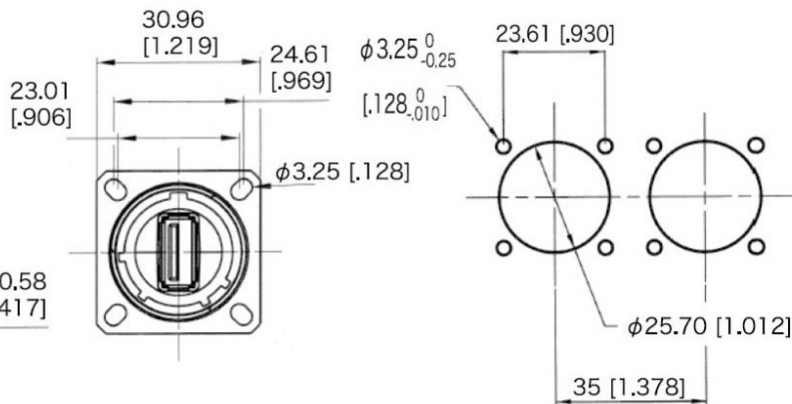
**CS50071**



Panel Drilling



**CS50072**



Panel Drilling

### Software Installation

The software package is supplied in a compressed folder file named *USB\_COM\_1P\_Driver* or a CD. Here are the installation steps.

1. If you have file *USB\_COM\_1P\_Driver*, rename *USB\_COM\_1P\_Driver* to *USB\_COM\_1P\_Driver.zip*, extract all files to a file folder on your local disk or USB drive, double click *setup.exe* to start software installation.
2. If you have the software CD, insert the software CD into your computer's disc drive, the software installation will start automatically.
3. Follow the on-screen instructions until the setup wizard finishes.
4. Connect USB module to the computer's USB port with an USB cable.

# DEVICE FUNCTIONS

---

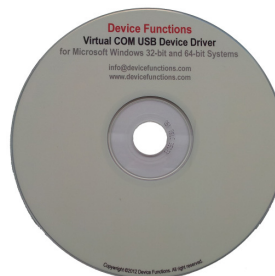
5. Follow the on-screen instructions if any to complete the software installation.

## Accessory

### SWD001

Virtual COM USB device driver CD

The virtual COM port device driver supports 32-bit (x86) and 64-bit (x64) Microsoft Windows 8, Windows 7, Windows Vista, Windows XP.



©2014 Device Functions. All right reserved.